

MOUNTING INSTRUCTIONS

ROTARY POSITION SENSOR



1. FEATURES

Type MCS605-E2

- built in amplifier
- full compatible with the MCS605

Power supply 10 to 30 VDC / 15 mA
(or ± 5 to ± 15 VDC)

Max. detec. angle 200° (or $\pm 100^\circ$)

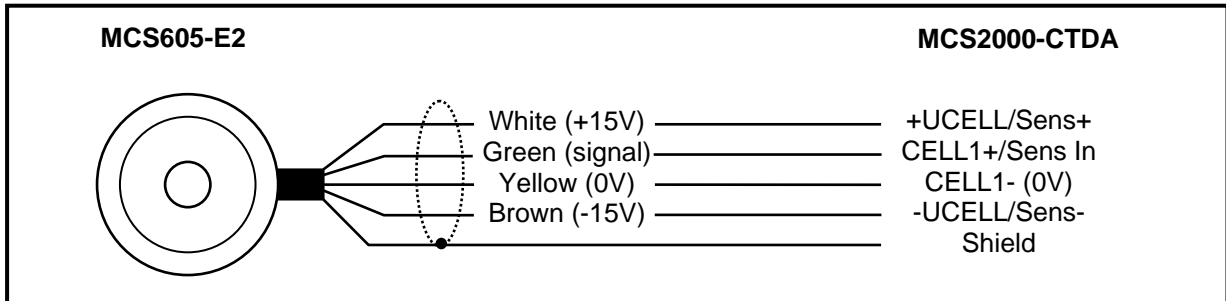
Sensitivity* 2.5 mV/V/°

*Example Power supply = ± 15 VDC,
Detec. angle = $\pm 30^\circ \Rightarrow$
Sensitivity = 4.5 VDC

Options **MCS-KITx** (1 to 8) :
Bracket, coupling,
cable, connector
(See on back sheet)

2. WIRING

Ex. with CONTROL

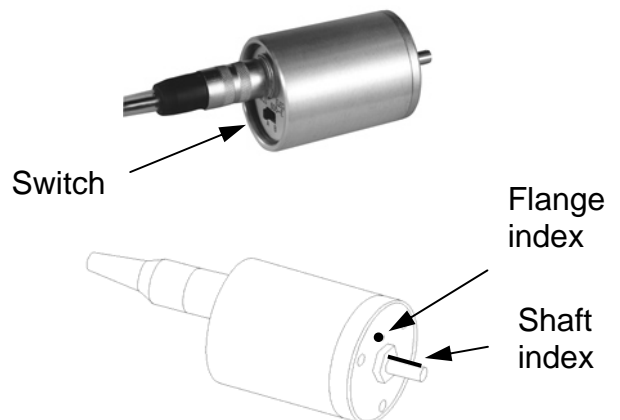


3. SETTING

Signal output polarity can be selected with the switch on the back flange of the sensor.

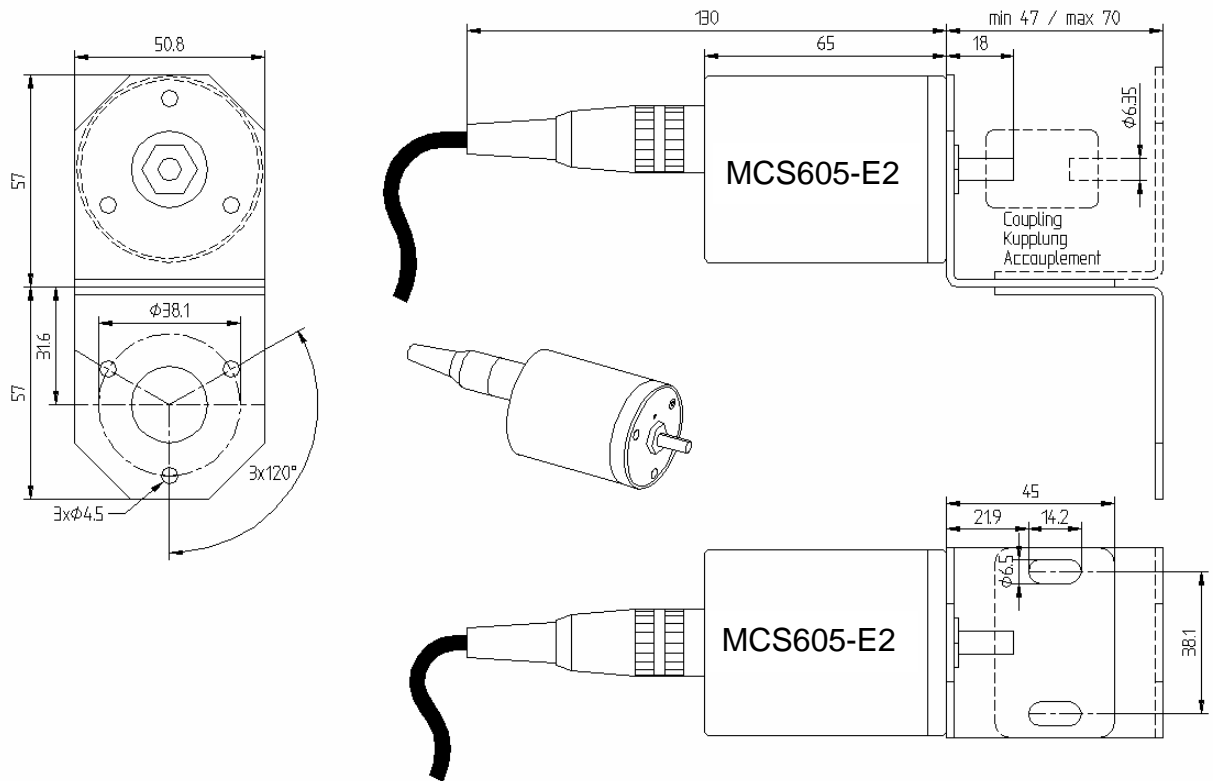
4. NOTES

Align both black index (flange + shaft) to nominal dancer arm position.
No axial or radial effort admitted on the shaft.
The coupling used should accept any alignment error between the sensor shaft and the pivot point of the dancer arm.
(**MCS-KITx** suggested).



5. DIMENSIONS

MCS605-E2 mounted with MCS-KIT 1 to 8



6. OPTIONS

MCS-KITx 2 brackets, 1 coupling, screws, 1 cable according to KIT reference :

MCS-KIT1a	3 m cable, 2 connectors	(for MCS202-E1)
MCS-KIT2a	3 m cable, 1 connector	(for MCS2000 Line)
MCS-KIT3a	4.5 m cable, 2 connectors	(for MCS202-E1)
MCS-KIT4a	4.5 m cable, 1 connector	(for MCS2000 Line)
MCS-KIT7a	6 m cable, 2 connectors	(for MCS202-E1)
MCS-KIT8a	8 m cable, 1 connector	(for MCS2000 Line)